

3.0A Very Low Input / Output Voltage Ultra Low Dropout Linear Regulator

FEATURES

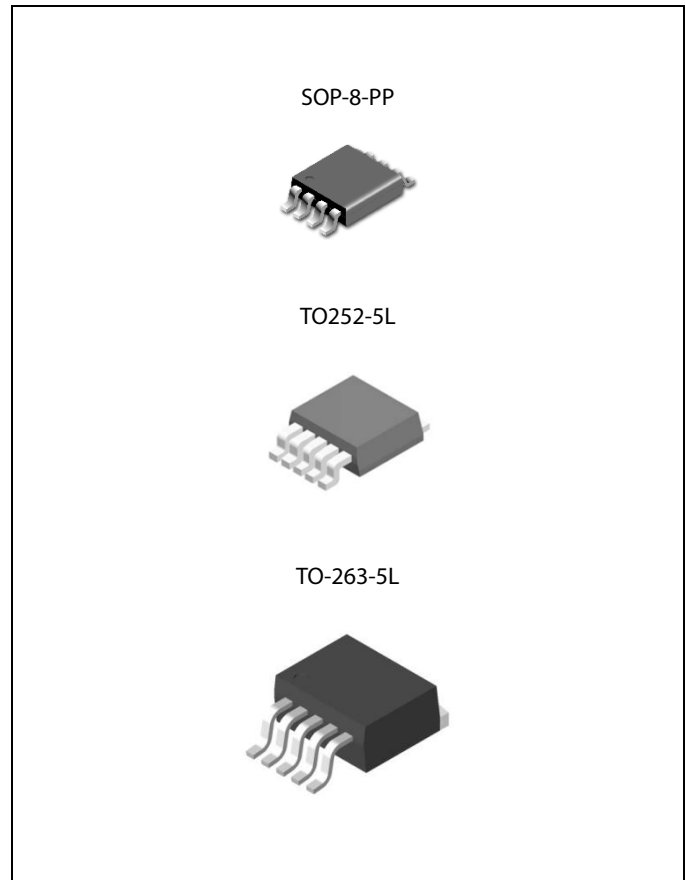
- Ultra Low Dropout Voltage
- Low Quiescent Current
- Excellent Line and Load Regulation
- Guaranteed Output Current of 3.0A
- Available in SOP-8-PP, TO-252, and TO-263 Packages
- Adjustable Output Voltage Down to 0.8V
- Fixed Output Voltages : 0.8V, 1.0V and 1.2V
- Logic Controlled Shutdown Option
- Over-Temperature/Over-Current Protection
- -40°C to 125°C Junction Temperature Range

APPLICATIONS

- Motherboards and Graphic Cards
- Microprocessor Power Supplies
- Peripheral Cards
- Low Voltage Digital ICs
- High Efficiency Linear Regulators
- SMPS Post Regulators

DESCRIPTION

The TJ49300 is a series of 3.0A high performance ultra low dropout linear regulator ideal for powering core voltages of low-power microprocessors. The TJ49300 implements a dual supply configuration allowing for very low output impedance. The TJ49300 requires a bias input supply and a main input supply, allowing for very low input voltages on the main supply rail. The input supply operates from 1.4V to 5.5V and the bias supply requires between 3V and 5.5V for proper operation. The TJ49300 offers fixed output voltages 1.0V and 1.2V and adjustable output voltages down to 0.8V. The TJ49300 is developed on a CMOS technology that allows low quiescent current operation independent of output current. This technology also allows the TJ49300 to operate under extremely low dropout conditions.



ORDERING INFORMATION

Device	Package
TJ49300GDP-X.X	SOP-8-PP
TJ49300GRS-X.X	TO-252-5L
TJ49300GR-X.X	TO-263-5L

X.X = Output Voltage = ADJ, 1.0 and 1.2

ABSOLUTE MAXIMUM RATINGS

CHARACTERISTIC	SYMBOL	MIN.	MAX.	UNIT
Input Supply Voltage (Survival)	V_{IN}	-0.3	6	V
Bias Supply Voltage (Survival)	V_{BIAS}	-0.3	6	V
Enable Input Voltage (Survival)	V_{EN}	-0.3	6	V
Output Voltage (Survival)	V_{OUT}	-0.3	$V_{IN} + 0.3$	V
Lead Temperature (Soldering, 5 sec)	T_{SOL}		260	°C
Storage Temperature Range	T_{STG}	-65	150	°C

RECOMMENDED OPERATING RATINGS

CHARACTERISTIC	SYMBOL	MIN.	MAX.	UNIT
Input Supply Voltage	V_{IN}	1.4	5.5	V
Bias Supply Voltage	V_{BIAS}	3	5.5	V
Enable Input Voltage	V_{EN}	0	V_{BIAS}	V
Ambient Temperature Range	T_{AOPR}	-40	105	°C
Operating Junction Temperature Range	T_{JOPR}	-40	125	°C

THERMAL INFORMATION

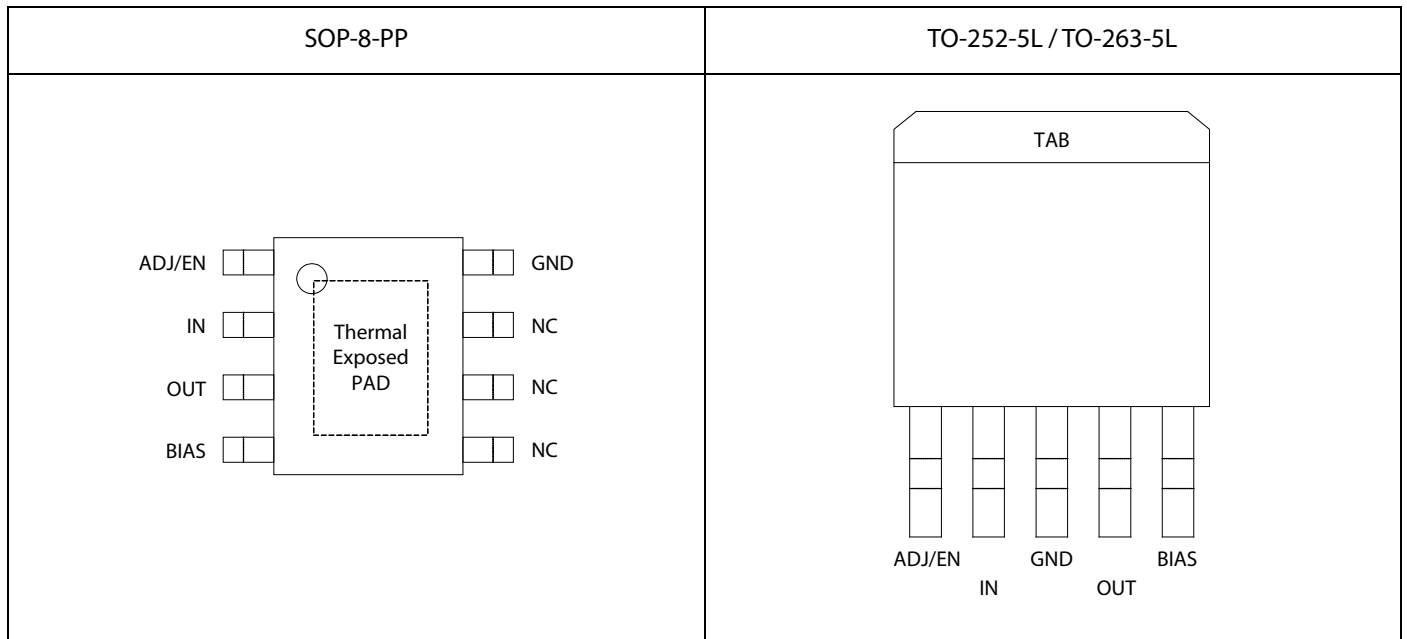
THERMAL METRIC	θ_{JC}	θ_{JA}	UNIT
Thermal Resistance (SOP-8-PP) *	15	75	°C/W
Thermal Resistance (TO-252-5L) *		68	°C/W
Thermal Resistance (TO-263-5L) *		45	°C/W

* Calculated from package in still air, mounted to minimum foot print PCB(1 oz., 2-layer).

ORDERING INFORMATION

V_{OUT}	Package	Order No.	Description	Marking	Compliance	Status
ADJ	SOP-8-PP	TJ49300GDP-ADJ	3.0A, Adjustable	TJ49300G	RoHS, Halogen Free	Active
	TO-252 5L	TJ49300GRS-ADJ	3.0A, Adjustable	TJ49300G	RoHS, Halogen Free	Active
	TO-263 5L	TJ49300GR-ADJ	3.0A, Adjustable	TJ49300G	RoHS, Halogen Free	Active
1.0V						Contact Us
1.2V						Contact Us

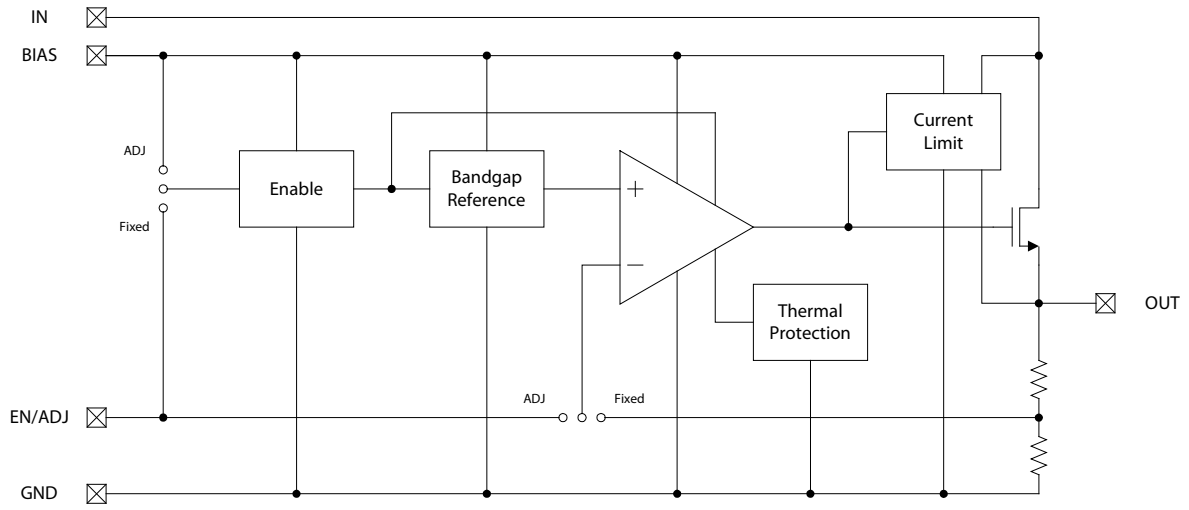
PIN CONFIGURATION



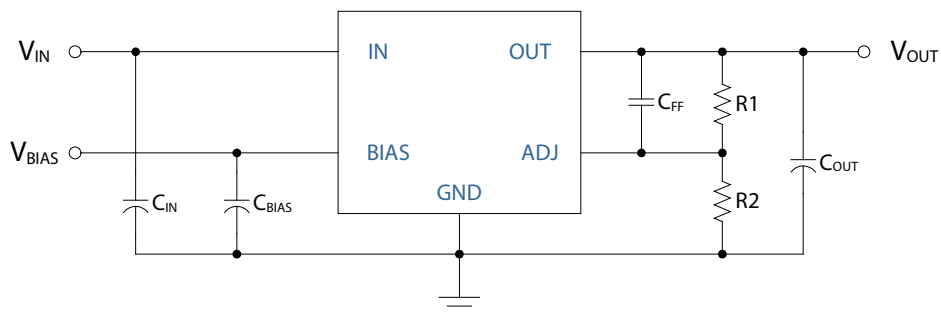
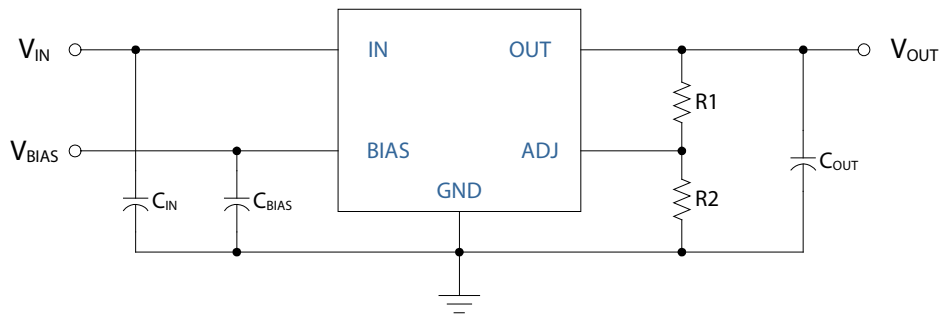
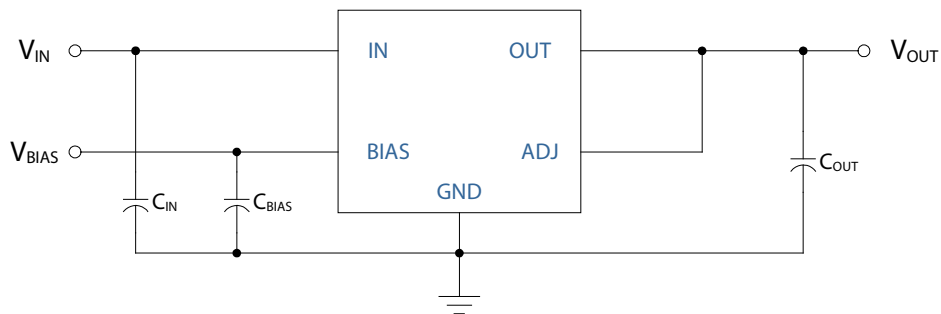
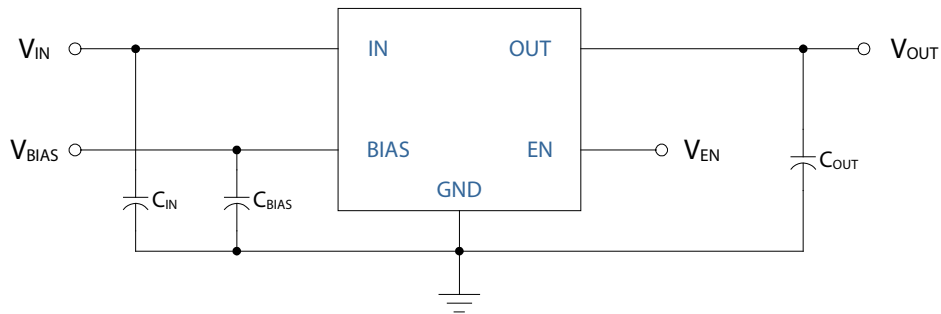
PIN DESCRIPTION

Pin No.		Pin Name	Pin Function
SOP-8-PP	TO252-5L / TO263-5L		
1	1	ADJ / EN	Output Adjust for Adjustable Output. Chip Enable for Fixed Output (Fixed Version Only).
2	2	IN	Power Input.
8	3	GND	Reference Ground.
3	4	OUT	Power Output.
4	5	BIAS	Input Bias Voltage for powering all circuitry on the regulator except the output power TR.
5, 6, 7	-	NC	No Connection.
-	-	Thermal Exposed PAD / TAB	Connect to ground.

BLOCK DIAGRAM



TYPICAL APPLICATION



* See application information for the details over external capacitor.

** TJ49300 can deliver a continuous current of 3.0A over the full operating temperature. However, the output current is limited by the restriction of power dissipation which differs from packages. A heat sink may be required depending on the maximum power dissipation and maximum ambient temperature of application. With respect to the applied package, the maximum output current of 3.0A may be still undeliverable.

*** For the details, see Application Information.

ELECTRICAL CHARACTERISTICS

Limits in standard typeface are for $T_J=25\text{ }^\circ\text{C}$, and limits in **boldface** type apply over the **full operating temperature range**.

Unless otherwise specified: $V_{BIAS} = V_{O(NOM.)} + 2.1\text{V}$, $V_{IN} = V_{O(NOM.)} + 1\text{V}$, $V_{EN}=V_{BIAS}$, $I_L = 10\text{ mA}$.

PARAMETER	SYMBOL	TEST CONDITION	MIN.	TYP.	MAX.	UNIT
Output Voltage Tolerance ^(Note 1)	V_O	$10\text{ mA} < I_L < 3.0\text{ A}$ $V_{OUT}+1\text{ V} < V_{IN} < 5.5\text{ V}$	-2 -3		2 3	%
Adjustable Pin Voltage ^(Note 2)	V_{ADJ}	$V_{OUT}+1\text{ V} < V_{IN} < 5.5\text{ V}$	0.78 0.772	0.8	0.82 0.828	V
Line Regulation ^(Note 3)	ΔV_{LINE}	$V_{OUT}+1\text{ V} < V_{IN} < 5.5\text{ V}$		0.02	0.1	%/V
Load Regulation ^(Note 3, 4)	ΔV_{LOAD}	$10\text{ mA} < I_L < 3.0\text{ A}$		0.25	1.0	%
Dropout Voltage	V_{DROP}	$I_L = 1.5\text{ A}$		150	200 300	mV
		$I_L = 3.0\text{ A}$		300	400 500	
Dropout Voltage ^(Note 5)	V_{DROP}	$I_L = 3.0\text{ A}$		1.5	2.1	V
Bias Pin Current	I_{BIAS}	$I_L = 3.0\text{ A}$		0.55	1.0 1.5	mA
Ground Pin Current ^(Note 6)	I_{GND1}	$I_L = 10\text{ mA}$		0.55	1.0 1.5	mA
		$I_L = 3.0\text{ A}$		0.55	1.0 1.5	
Ground Pin Current ^(Note 6, 1)	I_{GND2}	$V_{EN} < 0.2\text{ V}$		0.1	0.5 1.0	μA
Thermal Shutdown Temperature	T_{SD}			160		$^\circ\text{C}$
Thermal Shutdown Hysteresis	ΔT_{SD}			30		$^\circ\text{C}$
Enable threshold ^(Note 1)	Logic Low	V_{IL}	Output = Low		0.4	V
	Logic High	V_{IH}	Output = High	$0.7 * V_{BIAS}$		V
Enable Pin Input Current ^(Note 1)	I_{EN}	$V_{EN} = V_{BIAS}$		0.1	1.0	μA
Adjust Pin Current ^(Note 2)	I_{ADJ}	$V_{ADJ} = 0.8\text{ V}$		0.01	0.1	μA

Note 1. Fixed output voltage version only.

Note 2. Adjustable output voltage version only.

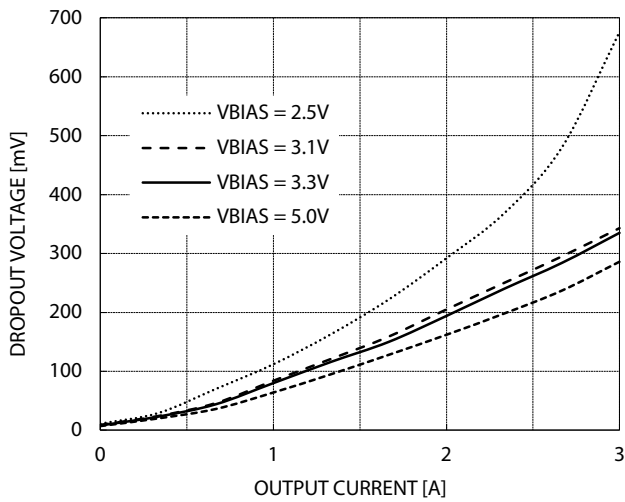
Note 3. Output voltage line regulation is defined as the change in output voltage from the nominal value due to change in the input line voltage. Output voltage load regulation is defined as the change in output voltage from the nominal value due to change in load current.

Note 4. Regulation is measured at constant junction temperature by using a 10ms current pulse. Devices are tested for load regulation in the load range from 10mA to 3.0A.

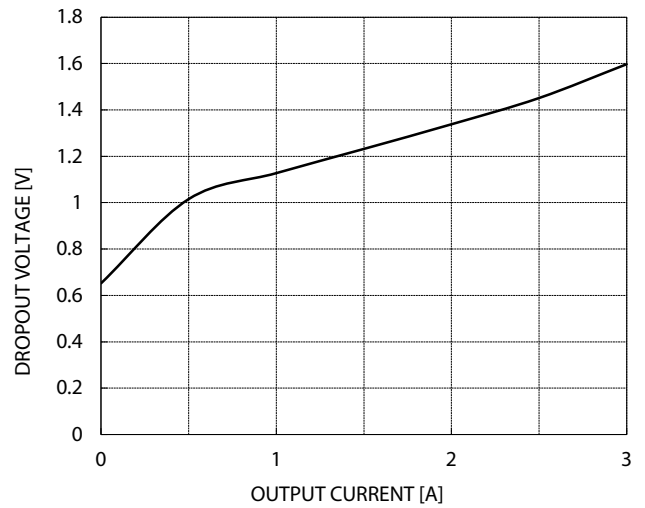
Note 5. For $V_{OUT} \leq 1.0\text{V}$, the V_{BIAS} Dropout specification does not apply due that the minimum V_{BIAS} input is 3.0V.

Note 6. $I_{GND} = I_{BIAS} + (I_{IN} - I_{OUT})$. The total current drawn from the supply is the sum of the load current plus the ground current.

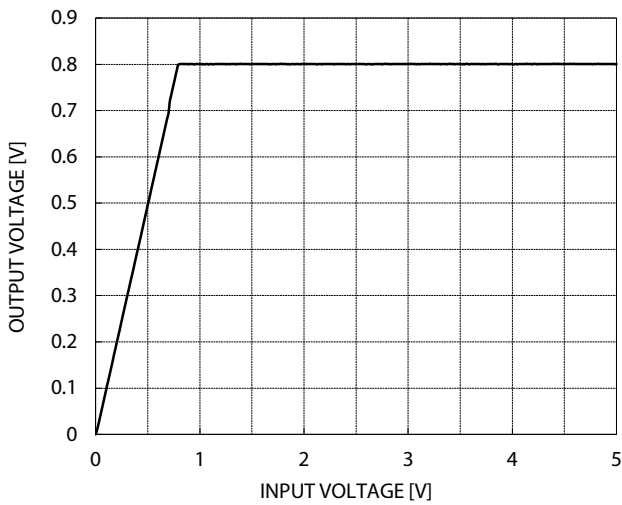
TYPICAL CHARACTERISTICS



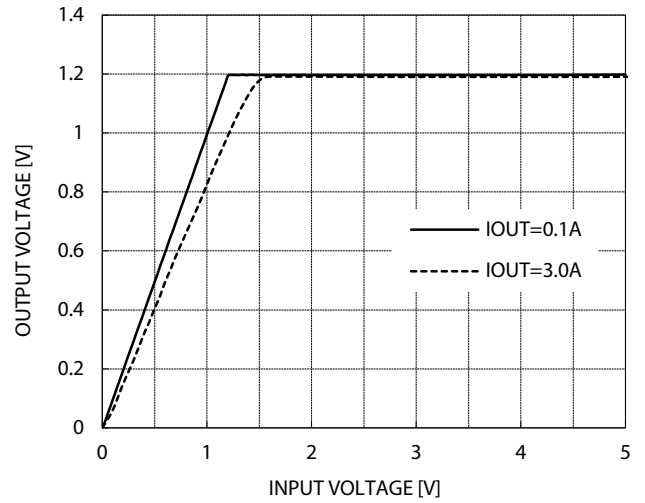
Dropout Voltage ($V_{IN}-V_{OUT}$) vs. Output Current



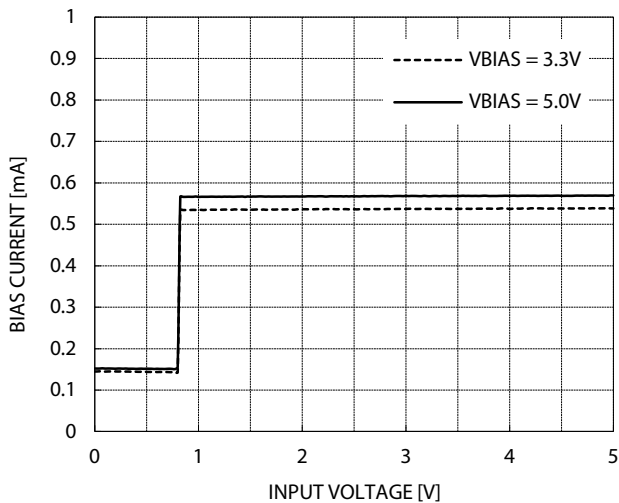
Dropout Voltage ($V_{BIAS}-V_{OUT}$) vs. Output Current



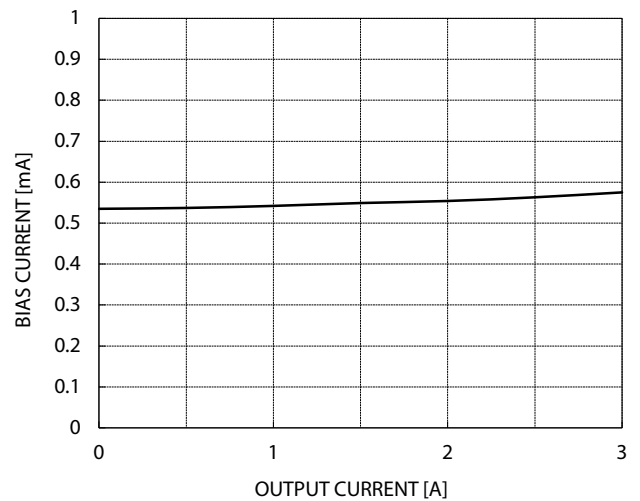
Reference Voltage vs. V_{IN}



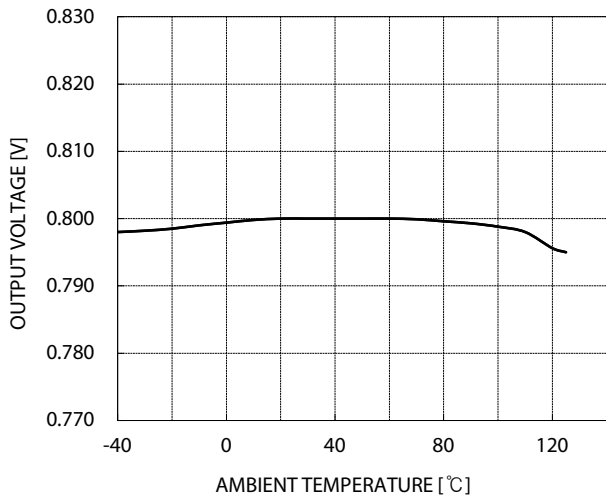
Output Voltage vs. V_{IN}



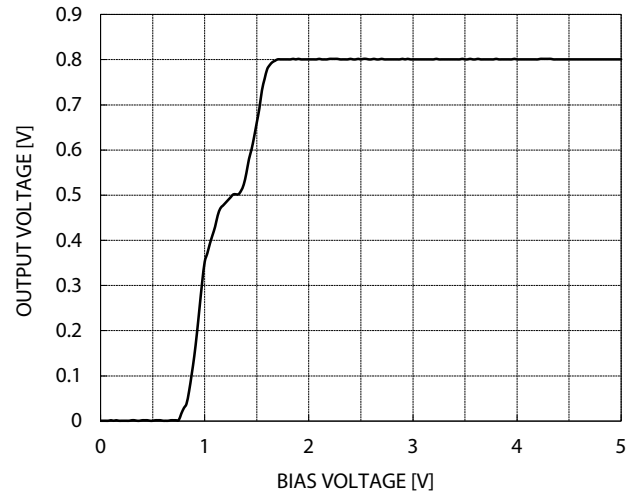
Bias Current vs. V_{IN}



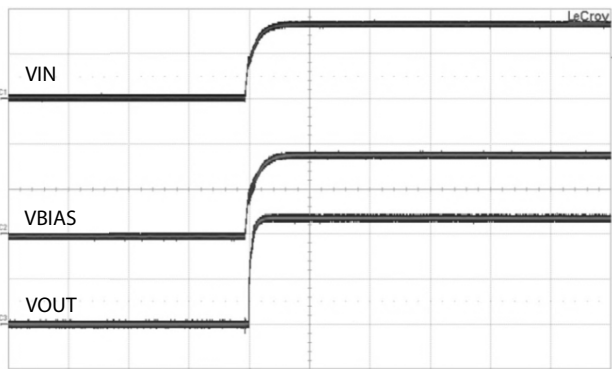
Bias Current vs. Output Current



Reference Voltage vs. Temperature

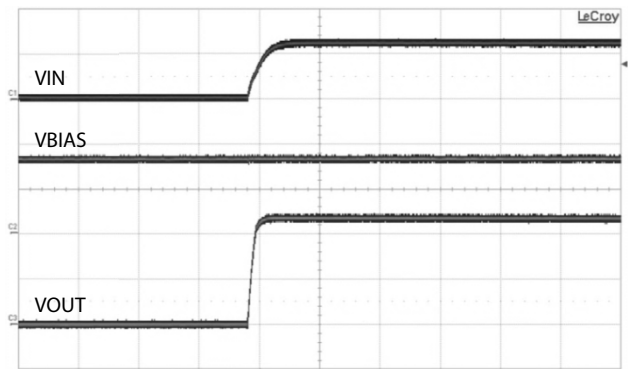


Reference Voltage vs. V_{BIAS}



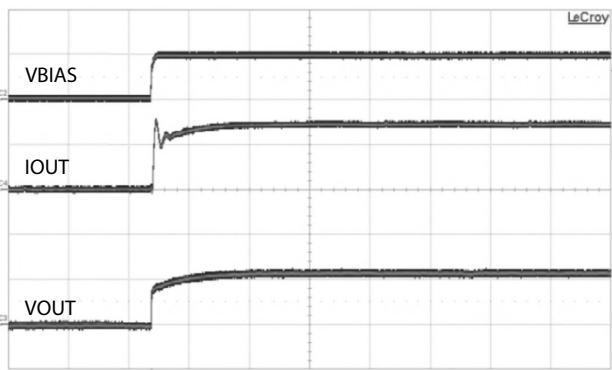
V_{IN} : 2.0V/div, V_{BIAS} : 2.0V/div, V_{OUT} : 0.5V/div, I_{OUT} =1.0A

V_{BIAS} & V_{IN} Start Up Transient Response



V_{IN} : 2.0V/div, V_{BIAS} : 2.0V/div, V_{OUT} : 0.5V/div, I_{OUT} =0.5A

V_{IN} Start Up Transient Response



V_{BIAS} : 2.0V/div, I_{OUT} : 2.0A/div, V_{OUT} : 0.5V/div, V_{IN} =2.5V

V_{BIAS} Start Up Transient Response

APPLICATION INFORMATION

The TJ49300 is a high performance, low dropout linear regulator, designed for high current application that requires fast transient response. The TJ49300 operates from two input supply voltages, significantly reducing dropout voltage. The TJ49300 is designed so that a minimum of external component are necessary.

Bias Supply Voltage

The TJ49300 control circuitry is supplied by the BIAS pin which requires a very low bias current even at the maximum output current level. A bypass capacitor on the bias pin is recommended to improve the performance of the TJ49300 during line and load transient. A small ceramic capacitor from BIAS pin to ground reduces high frequency noise that could be injected into the control circuitry from the bias rail. In practical applications, a 1 μ F capacitor and smaller valued capacitors such as 0.01 μ F or 0.001 μ F in parallel with that larger capacitor may be used to decouple the bias supply. The BIAS input voltage must be 2.1V above the output voltage, with a minimum BIAS input voltage of 3.0V.

Adjustable Regulator Design

The TJ49300 adjustable version allows fixing output voltage anywhere between 0.8V and 2.0V using two external resistors as presented in the typical application circuit. The resistor values are given by;

$$R1 = R2 \times \left(\frac{V_{OUT}}{0.8} - 1 \right)$$

It is suggested to use R1 values lower than 10k Ω to obtain better load transient performances. Even, higher values up to 100 k Ω are suitable.

Enable

The fixed output voltage version of TJ49300 feature an active high Enable input(EN) that allows on/off control of the regulator. The enable function of TJ49300 has hysteresis characteristics. The enable input allows on control of the regulator with the enable pin voltage of $V_{BIAS} \times 0.7$. When the enable input voltage lowers under 0.4V, the enable input allows off control of the regulator. If not in used for logic control, EN pin must be tied to BIAS voltage for proper operation. When a pull-up resistor is connected between EN pin and V_{EN} signal(or V_{BIAS} line), the resistance should be kept under 10k Ω . The EN pin must not be left at high impedance.

Supply Power Sequencing

In common applications where the power on transient of IN and BIAS voltages are not particularly fast($Tr > 100\mu s$), no power sequencing is required. Where voltage transient input is very fast($Tr < 100\mu s$), it is recommended to have the IN voltage present before or, at least, at the same time as the BIAS voltage in order to avoid over voltage spikes during the power on transient.

Output Capacitors

The TJ49300 requires a minimum output capacitance to maintain stability. The TJ49300 is specifically designed to be stable with a ceramic chip, tantalum, and aluminum electrolytic capacitor. A 10 μ F of ceramic chip capacitor or a 33 μ F tantalum or aluminum electrolytic capacitor would satisfy most applications. Its minimum value of ceramic chip capacitor is 1 μ F and of tantalum or aluminum electrolytic capacitor is 22 μ F. They might be increased if output current is high.

Input Capacitor

An input capacitor of minimum 1 μ F of chip ceramic capacitor and 10 μ F of tantalum or aluminum electrolytic

capacitor is recommended. Larger values will help to improve ripple rejection by bypassing the input to the regulator, further improving the integrity of the output voltage.

Feed Forward Capacitor

The TJ49300 requires a feed forward capacitor to stabilize output in case of complicated transient load condition. It also performs a soft-start(SS) function on the output voltage. A 10nF is recommended to support its stability support function and its higher value will increase the time of SS function.

Maximum Output Current Capability

The TJ49300 can deliver a continuous current of 3.0A over the full operating junction temperature range. However, the output current is limited by the restriction of power dissipation which differs from packages. A heat sink may be required depending on the maximum power dissipation and maximum ambient temperature of application. With respect to the applied package, the maximum output current of 3.0A may be still undeliverable due to the restriction of the power dissipation of TJ49300. Under all possible conditions, the junction temperature must be within the range specified under operating conditions.

The temperatures over the device are given by :

$$T_C = T_A + P_D \times \theta_{CA} \quad / \quad T_J = T_C + P_D \times \theta_{JC} \quad / \quad T_J = T_A + P_D \times \theta_{JA}$$

Where T_J is the junction temperature, T_C is the case temperature, T_A is the ambient temperature, P_D is the total power dissipation of the device, θ_{CA} is the thermal resistance of case-to-ambient, θ_{JC} is the thermal resistance of junction-to-case, and θ_{JA} is the thermal resistance of junction to ambient.

The total power dissipation of the device is given by:

$$P_D = P_{IN} - P_{OUT} = \{(V_{IN} \times I_{IN}) + (V_{BIAS} \times I_{BIAS})\} - (V_{OUT} \times I_{OUT})$$

The maximum allowable temperature rise (T_{Rmax}) depends on the maximum ambient temperature (T_{Amax}) of the application, and the maximum allowable junction temperature (T_{Jmax}):

$$T_{Rmax} = T_{Jmax} - T_{Amax}$$

The maximum allowable value for junction-to-ambient thermal resistance, θ_{JA} , can be calculated using the formula:

$$\theta_{JA} = T_{Rmax} / P_D = (T_{Jmax} - T_{Amax}) / P_D$$

TJ49300 is available in SOP8-PP, TO252, and TO263 packages. The thermal resistance depends on amount of copper area or heat sink, and on air flow.

If proper cooling solution such as heat sink, copper plane area, air flow is applied, the maximum allowable power dissipation could be increased. However, if the ambient temperature is increased, the allowable power dissipation would be decreased.

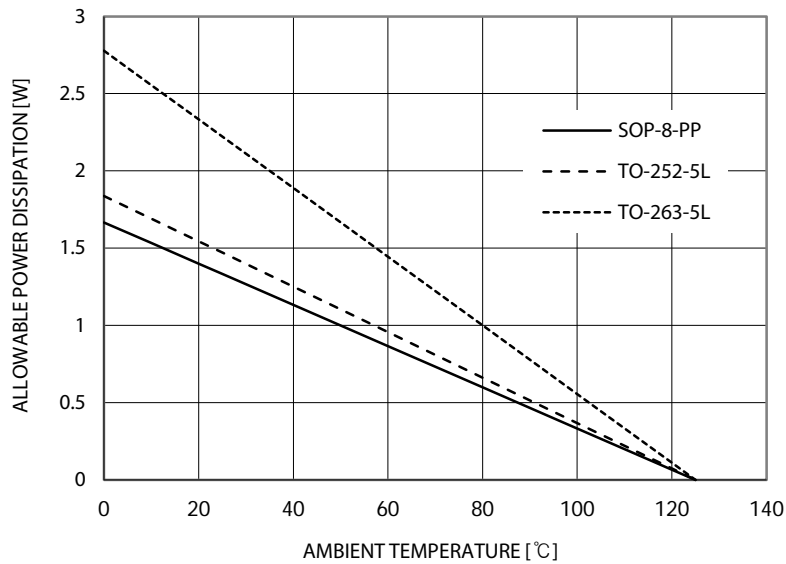
The θ_{JA} could be decreased with respect to the copper plane area. So, the specification of maximum power dissipation for an application is fixed, the proper copper plane area could be estimated by following graphs. Wider copper plane area leads lower θ_{JA} .

The maximum allowable power dissipation is also influenced by the ambient temperature. With the θ_{JA} -Copper

plane area relationship, the maximum allowable power dissipation could be evaluated with respect to the ambient temperature. As shown in graph, the higher copper plane area leads θ_{JA} . And the higher ambient temperature leads lower maximum allowable power dissipation.

All this relationship is based on the aforesaid equation ; $\theta_{JA} = T_{Rmax} / P_D = (T_{Jmax} - T_{Amax}) / P_D$

The graph below is valid for the thermal resistance specified in the Thermal Information section on page 2.



REVISION NOTICE

The information in this datasheet can be revised without any notice to describe proper electrical characteristics.